



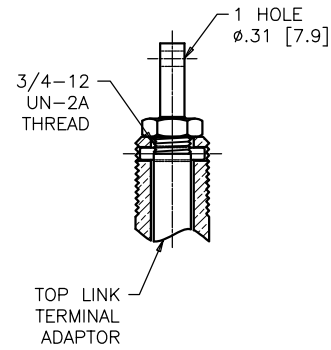
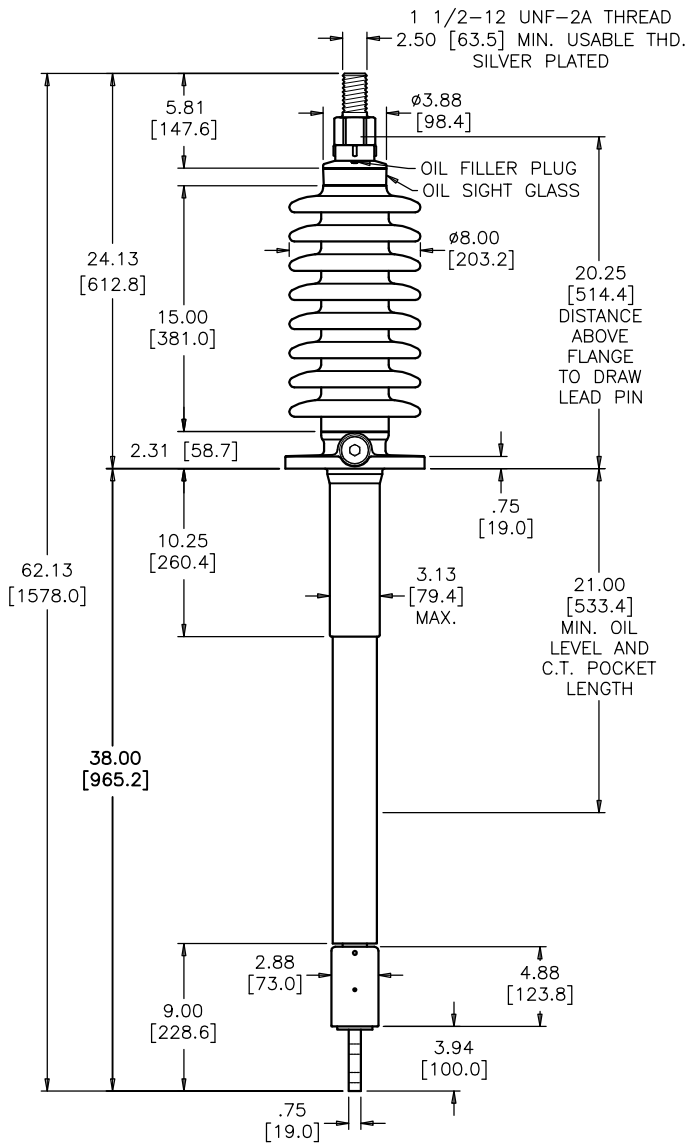
PCORE
ELECTRIC

KV CLASS 34.5 kV	BIL 200 kV	Uy 22 kV
CURRENT RATING		
1200 AMP BOTTOM CONNECTION		
MIN. CREEP 41.00 [1041.4]	MIN. STRIKE 17.00 [431.8]	
CREEP/Uy 1.86 [47.3]	STD. IEEE C57.19.00/01	
PCB CONTENT OF OIL IS LESS THAN 1 ppm		

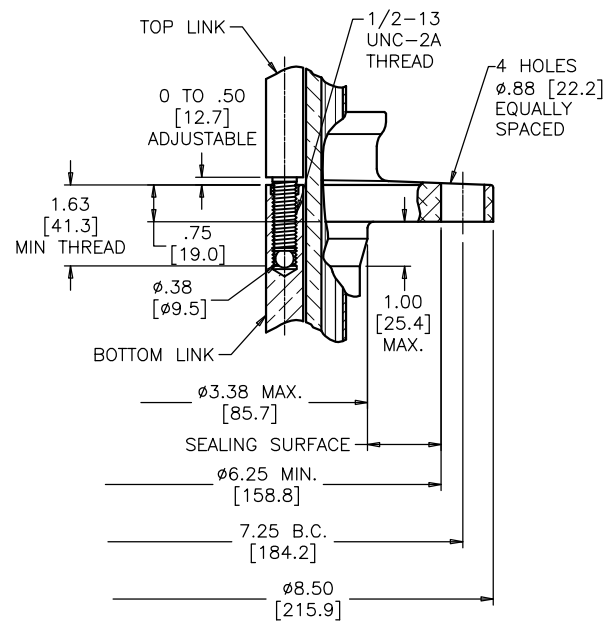
DWG.	CATALOG NUMBER	GLAZE COLOR
SD	B-89393-217	BROWN
SD	B-89393-217-70	LT. GRAY

DATE	REV. DATE
2-12-15	
MAXIMUM ALTITUDE 10000 ft [3000 m]	
NET WEIGHT 82 lb [37 kg]	
ANGLE OF INCLINATION FROM THE VERTICAL 0° TO 70°	

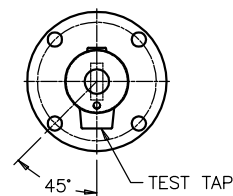
TITLE
PRC BUSHING
SST TEST TAP COVER, C ₂ NAME PLATE
QUICK LINK BOTTOM CONNECTION
JOINT .75 [19.1] ABOVE FLANGE
MOUNTING SURFACE
SILVER PLATED BOTTOM TERMINAL



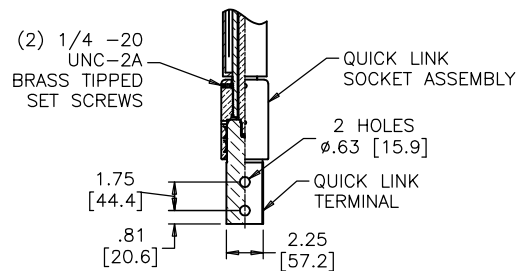
TOP LINK TERMINAL DETAIL



MOUNTING FLANGE DETAIL



ALIGNMENT DIAGRAM TOP VIEW



BOTTOM TERMINAL DETAIL SILVER PLATED

DIMENSIONS IN INCHES [MILLIMETERS]

REVISION

SCALE 1/8

NOTE TO PURCHASER:
ALL SALES OF PCORE PRODUCTS ARE SUBJECT TO OUR STANDARD TERMS AND CONDITIONS AND THE LIMITED WARRANTIES THEREUNDER